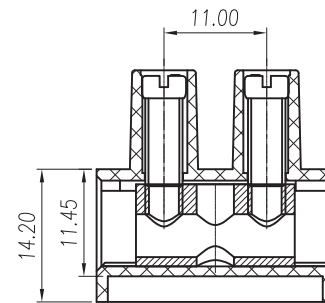
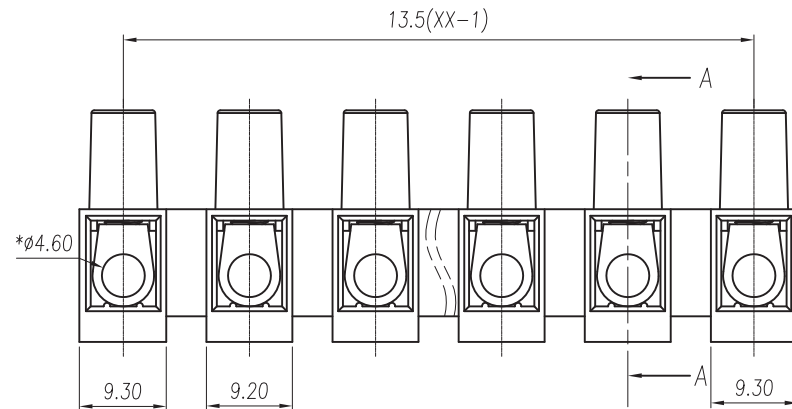
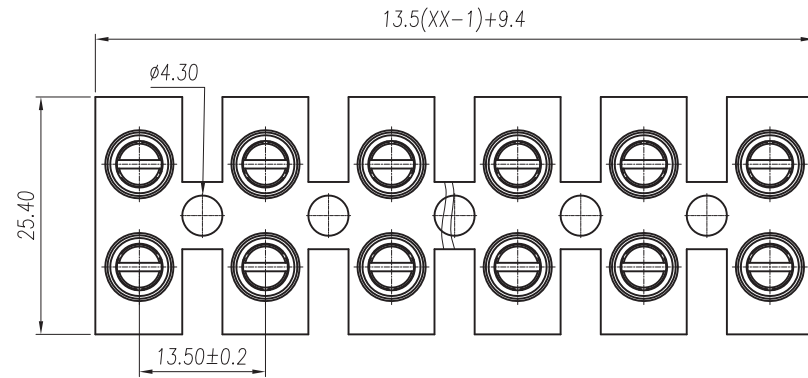


CIXI WANJIE ELECTRONIC CO., LTD

THE SPEC SHEET



SECTION:A-A

Electrical

Standard	UL	IEC
Rated voltage	600V	750V
Rated current	50A	57A
Contact resistance	20mΩ	
Insulation resistance	500MΩ/DC500V	
Wire range	20~8AWG	10mm ²
Wrth standing voltage	AC 2500V/1 Min	

Mechanical

Torque	1.2Nm/10.8Lb.in	
Temp.Range	-40°C~+105°C	
Steip Length	6-7mm	

Dimensions

Pitch	13.5mm
Poles	2~12p

Material

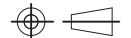
Housing	PA66, UL94V-2
Screws	M4.0 Steel, Zn plated
Copper Cylinder	Copper alloy ,Ni plated

linear dimension(Tolerances Standard GB/T 14486-2008)

variable range	linear dimension(Tolerances Standard GB/T 14486-2008)										≡	—	□	//	⊥	
	to 6	over 6 to 10	over 10 to 18	over 18 to 30	over 30 to 50	over 50 to 80	over 80 to 120	over 120 to 160	over 160 to 200	over 200 to 250						all
tolerance	±0.1	±0.14	±0.19	±0.25	±0.32	±0.45	±0.57	±0.72	±0.88	±1.05	±1.25	0.5	0.025	0.06	0.12	0.4

UNITS mm SIZE A4 SCALE 1:1

THIRD ANGLE PROJECTION



CIXI WANJIE ELECTRONIC CO., LTD

TITLE

MY14H-1.2-13.5-XXP-1YY-00A